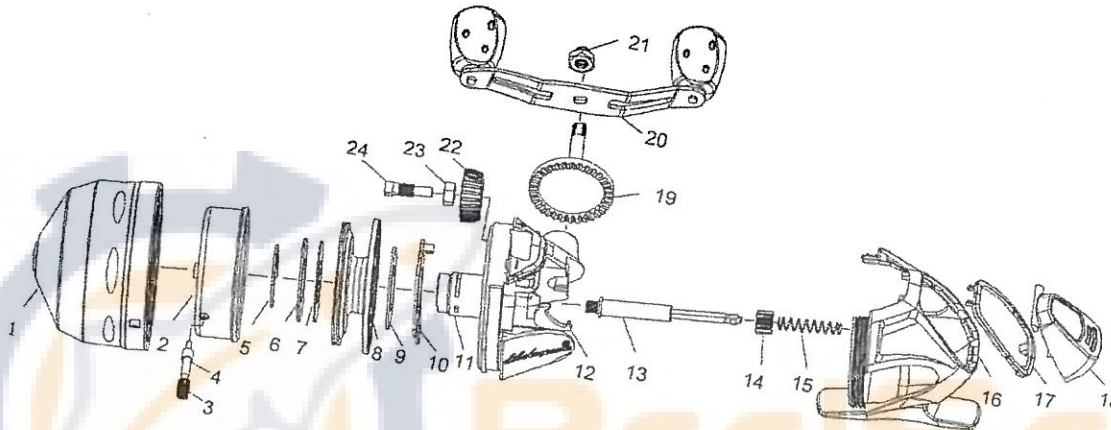


# Shakespeare®

Model GX210

SKP-SC-GX2-10-04



ITEM	DESCRIPTION	SAP #	ITEM	DESCRIPTION	SAP #	ITEM	DESCRIPTION	SAP #	ITEM	DESCRIPTION	SAP #
1	FRONT COVER ASM	1322467	8	SPOOL	1322471	15	SPRING	1322479	22	DRAG KNOB	1322474
2	PICK UP HOUSING	1322468	9	WASHER	1322487	16	BACK COVER	1322482	23	DRAG NUT	1322473
3	PIN SPRING	1322490	10	SPRING WASHER	1322486	17	BACK COVER DECK	1322481	24	DRAG SCREW	1322472
4	PICKUP PIN	1322489	11	BODY	1322485	18	THUMB BUTTON	1322480			
5	E CLIP	1322469	12	A/R CLAW	1322478	19	DRIVE GEAR	1322477			
6	E-WASHER	1322470	13	CENTER SHAFT	1322484	20	HANDLE ASM	1322475			
7	DRAG WASHER	1322488	14	PINION	1322483	21	HANDLE NUT	1322476			